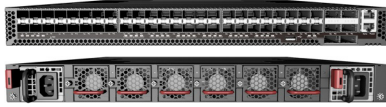


Quick Start Guide


54-Port 25G/100G Fiber Ethernet Switch


F9572-V | F9572B-V

1. Unpack the Switch and Check Contents





F9572-V or F9572B-V


 Rack Mounting Kit—2 front-post brackets, 2 rear-post brackets, 20 screws, and 2 ear-locking screws


 Power Cord (included with AC PSUs only)

 Console Cable—RJ-45 to DB-9

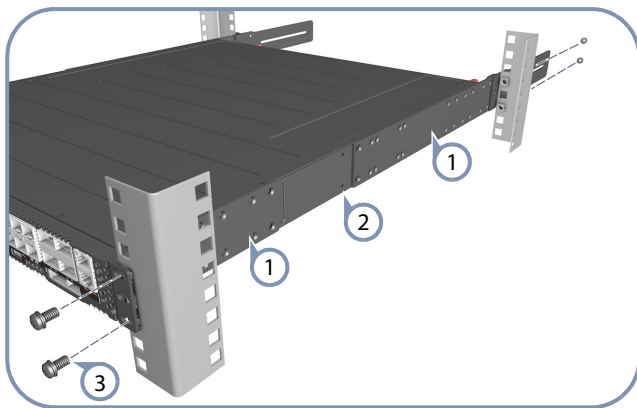
 Dust Cover Kit—6 for QSFP port and 48 for SFP ports

 Documentation—*End-User License Agreement*, *Quick Start Guide (this document)* and *Safety and Regulatory Information*


 **Caution:** The switch includes plug-in power supply (PSU) and fan tray modules that are installed into its chassis. All installed modules must have a matching airflow direction. That is, if the installed power modules have a front-to-back (F2B) airflow direction, all the installed fan tray modules must also have a F2B airflow direction.

 **Note:** The switch drawings in this document are for illustration only and may not match your particular switch model.

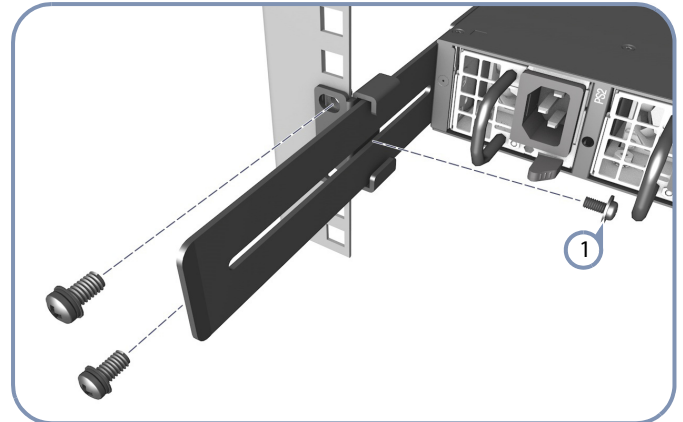
2. Attach the Brackets



- 1 Attach each of the front- and rear-post brackets to the switch using four of the included bracket screws.
- 2 Use an additional two screws to secure each of the rear-post brackets at the mid-point on the sides of the switch.
- 3 Use the screws and cage nuts supplied with the rack to secure the switch in the rack.

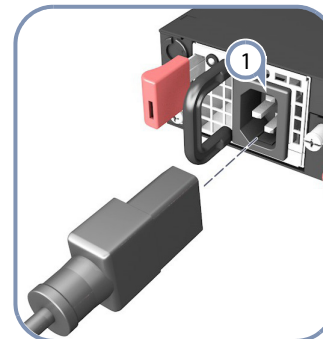
 **Caution:** Installing the switch in a rack requires two people. One person should position the switch in the rack, while the other secures it using the rack screws.
装置の吸排気に必要な領域をマニュアル上に規定している。

3. Adjust Rear-Post Bracket Ears



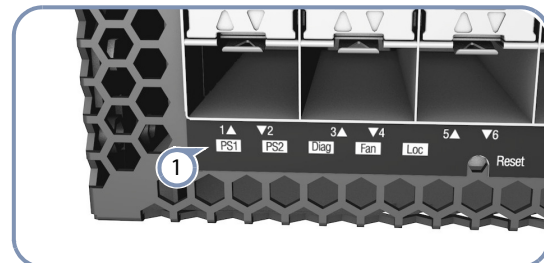
- 1 Lock the position of the rear-post bracket ears using the included position-locking screws.
You can also adjust the rear-post bracket ears to fit different rack depths from 56 cm to 75 cm.

4. Connect Power



- 1 Connect an external AC power source to the PSUs.

5. Verify Switch Operation



- 1 Verify basic switch operation by checking the system LEDs. When operating normally, the PSU1/PSU2, Diag, and Fan LEDs should all be on green.

6. Configuring the switch

To configure your switch please refer to the Pluribus Networks Quick Start Guide available at this location:

<http://www.pluribusnetworks.com/support/documentation-onvl/>

Hardware Specifications

Switch Chassis

Size (WxDxH)	438.4 x 473 x 44 mm (17.26 x 18.62 x 1.73 inches)
Weight	9.6 kg (21.164 lb), with two installed PSUs
Temperature	Operating: 0° C to 45° C (32° F to 123° F) Storage: -40° C to 70° C (-40° F to 158° F)
Humidity	Operating: 5% to 95% (non-condensing)
Power Consumption	450 W

AC PSU

Power Rating	100–240 VAC, 50-60 Hz, 650 Watts
AC Input	100–240 VAC, 50-60 Hz, 10–5 A or 8.2-3.5 A or 7.8-3.8 A
DC Output	5 VSB @ 4-2.5 A, 12 VDC @ 54 A-52.9 A

Regulatory Compliances

Emissions	EN 55032:2012+AC:2013, Class A EN 55032:2015+AC:2016, Class A EN 61000-3-2:2014, Class A EN 61000-3-3:2013 FCC Class A VCCI Class A CE Mark KC Certification
Immunity	EN 55024:2010+A1:2015 IEC 61000-4-2/3/4/5/6/8/11
Safety	UL (CSA 22.2 No 60950-1 & UL60950-1) CB (IEC/EN60950-1)
